



Expansion Module for Ethernet

Installation

English

Installation of Expansion Module for Ethernet

The expansion module is used for the operator panel to communicate via Ethernet. The correct driver must be installed in the operator panel.

Important

Read the entire installation instructions prior to installing and using this equipment. Only qualified personnel may install, operate or repair this equipment. Users must acquire the appropriate knowledge to use the equipment properly. The manufacturer does not assume any responsibility for modified, altered or renovated equipment.

THE MANUFACTURER SHALL NOT BE LIABLE TO ANYONE FOR ANY DIRECT, INDIRECT, SPECIAL, INCIDENTAL, OR CONSEQUENTIAL DAMAGES RESULTING FROM THE INSTALLATION, USE OR REPAIR OF THIS EQUIPMENT, WHETHER ARISING IN TORT, CONTRACT, OR OTHERWISE. BUYER'S SOLE REMEDY SHALL BE THE REPAIR, REPLACEMENT, OR REFUND OF PURCHASE PRICE, AND THE CHOICE OF THE APPLICABLE REMEDY SHALL BE AT THE SOLE DISCRETION OF THE MANUFACTURER.

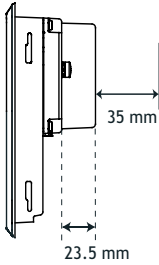


Attention:
Observe precautions for handling electrostatic sensitive devices.

Technical Data

Size, W x H x D	86.7 x 69.6 x 23.5 mm
Weight	0.11 kg
Band rate	10 Mbit/s

Space Requirements



Installation

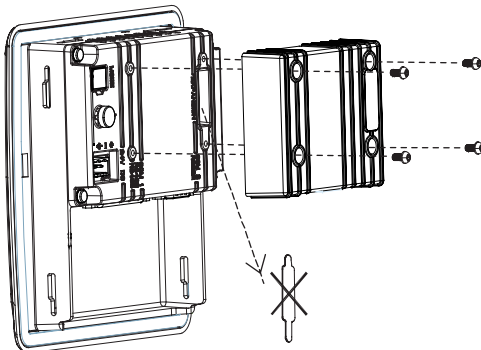
1. Unpack and check the delivery. If damage is found, notify the supplier.



Note:

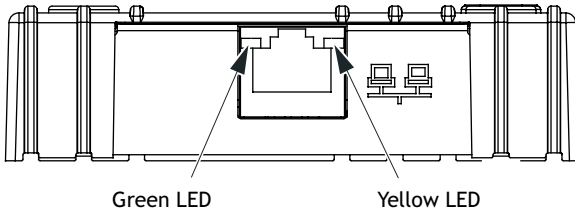
Place the panel on a stable surface during installation. Dropping it or letting it fall may cause damage.

2. Disconnect the operator panel from the power supply.
3. Remove the plastic cover from the expansion port.



4. Secure the expansion module in position, using the provided screws.
5. Connect the operator panel to the power supply.

The LEDs on EM-Ethernet



The expansion module has two LEDs, with the following functions:

TxD, green. The LED is activated by Ethernet transmit activity.

RxD, green. The LED is activated by Ethernet receive activity.

LINK, yellow. The LED is activated when the Ethernet (twisted pair) cable is connected correctly.

Settings in the Configuration Tool

Double-click on the **Peripherals** folder in the **Project Manager** in the configuration tool for the operator panel.

Right-click on **Expansion Port** and select **EM-Ethernet**. Then drag **Controller** with the corresponding driver or TCP/IP connection to the **Fieldbus** icon. To change the selected driver, select **Properties** from the **Project** menu.

For further information, please see the information for the driver.